

4

3

2

1

THIS DRAWING IS UNPUBLISHED.
DIFFUSION RESTREINTE

RELEASED FOR PUBLICATION
LIBRE A LA DIFFUSION

2011

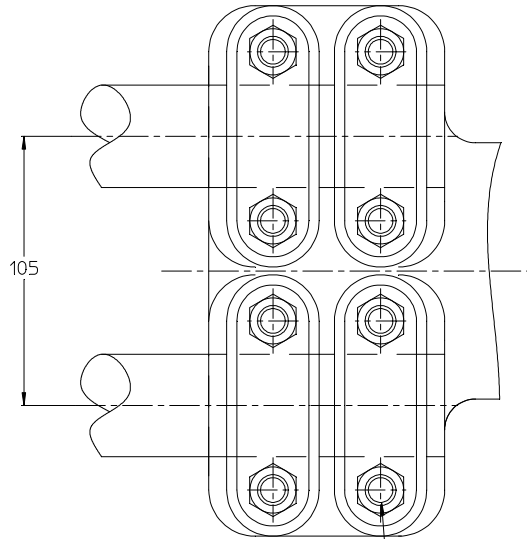
© COPYRIGHT 2011 by Tyco Electronics Corporation

ALL RIGHTS RESERVED.
TOUS DROITS RESERVES

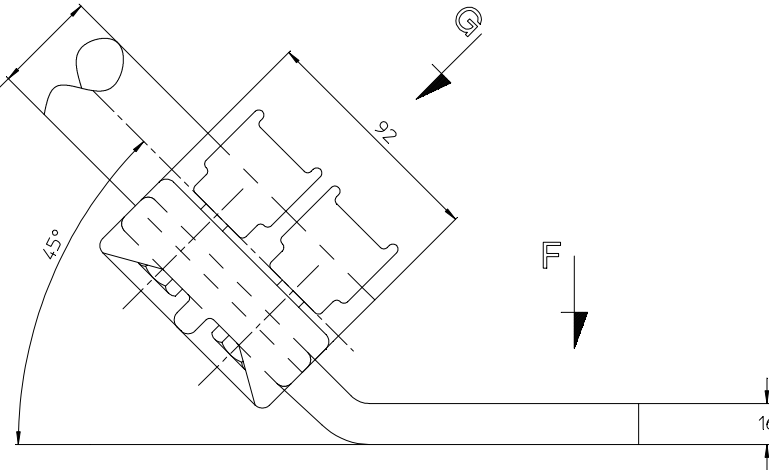
LOC	DIST
-	-

P		LTR REV	DESCRIPTION MODIFICATIONS	DATE	DWN DESS	APVD APPR
	A		CREATION	08-Oct-12	GL	-

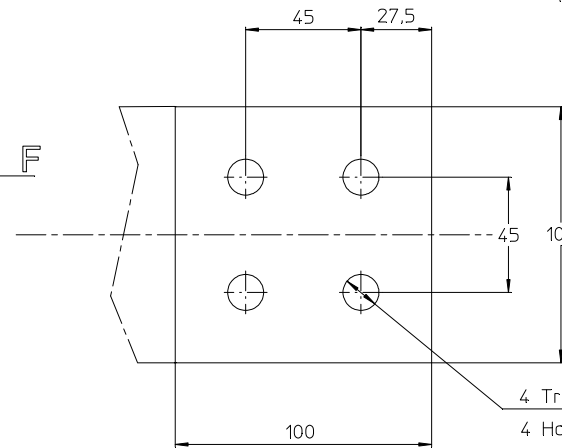
Vue G



Cable ou tube $\varnothing 36$ à 40.99
 Cable or tube 36DIA to 40.99
 Cable o tubo $\varnothing 36$ a 40.99


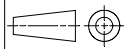


Vue F



8 Boulons $\varnothing 12$ Acier inox A2
 8 Bolts 12DIA Stainless steel A2
 8 Tornillos $\varnothing 12$ Acero inoxidable A2 } 60 Nm

4 Trous $\varnothing 14$
 4 Holes 14 DIA
 4 Agujeros $\varnothing 14$

THIS DRAWING IS A CONTROLLED DOCUMENT. LE PLAN EST UN DOCUMENT CONTRÔLÉ PAR TYCO ELECTRONICS CORPORATION EST SUSCEPTIBLE D'ÊTRE REVISÉ POUR OBTENIR LA DERNIÈRE RÉVISION CONTACTER LE SERVICE TECHNIQUE DE TYCO ELECTRONICS SHEL SAS 4220 LEVREY-CHAMBERTIN, FRANCE		DWN /DESSINE LAFORGE	08-Oct-12	 TE connectivity SIMEL PRODUCTS	
DIMENSIONS: mm		CHK/VERIFIE -	APVD/APPROUVE -		
		TOLERANCES UNLESS OTHERWISE SPECIFIED PER TOLERANCES NON SPECIFIEES SELON :-		CA 45 82 F 40 E105 100 C241	
MATERIAL MATIERE		FINISH FINITION		SIZE FORMAT	RESTRICTED TO RESERVE A
-		-		A3	-
-		-		CAGE CODE 00779	DRAWING NO No PLAN C=2233034
-		WEIGHT MASSE APPROX. 2.9KG		UNIQUEMENT POUR REFERENCE	SCALE ECHELLE 1/2
-		CUSTOMER DRAWING /PLAN CLIENT		SHEET FEUILLE 1	OF DE 1
-		-		REV A	

ITEM: